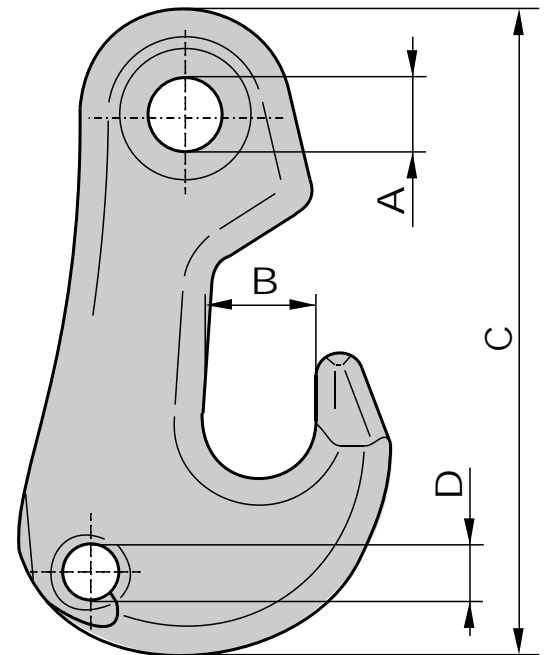
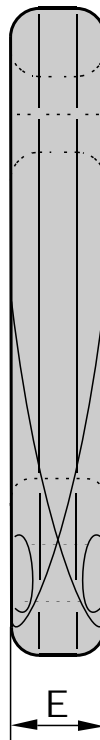
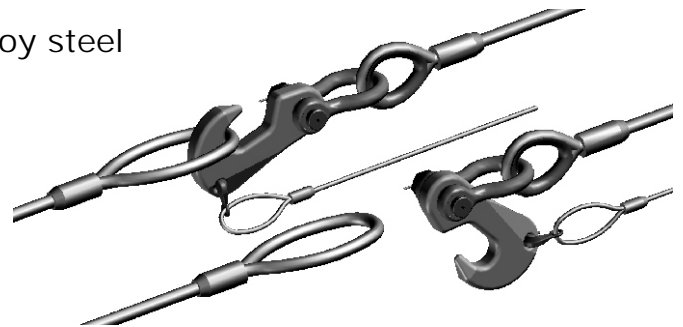


ANCHOR LINE HOOK

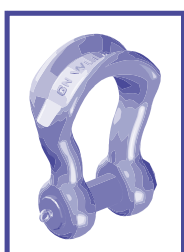
TYPE HK6

Material : 15, 20, 25, 50 and 80 ton alloy steel
 100 ton high tensile steel
 Safety : 4 times
 Finish : Painted



Art. no.	SWL ton	MBL ton	A mm	B mm	C mm	D mm	E mm	Weight Kgs
74000015	15	60	38	58	343	32	45	11
74000020	20	80	40	74	343	32	60	14
74000025	25	100	52	86	440	38	65	26
74000050	50	200	80	112	618	45	90	67
74000080	80	320	90	130	709	62	110	116
74000100	100	400	100	150	850	70	120	255

Tolerance \pm 5%



GN ROPE FITTINGS

Grofsmederij Nieuwkoop B.V. - The Netherlands

www.gnweb.com - sales@gnweb.com

Tel +31(0) 172 579 303, Fax +31(0) 172 571 073

