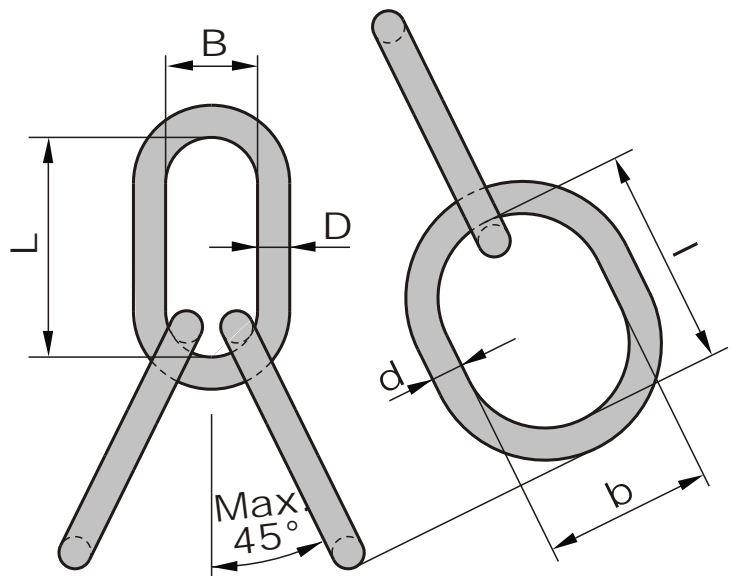
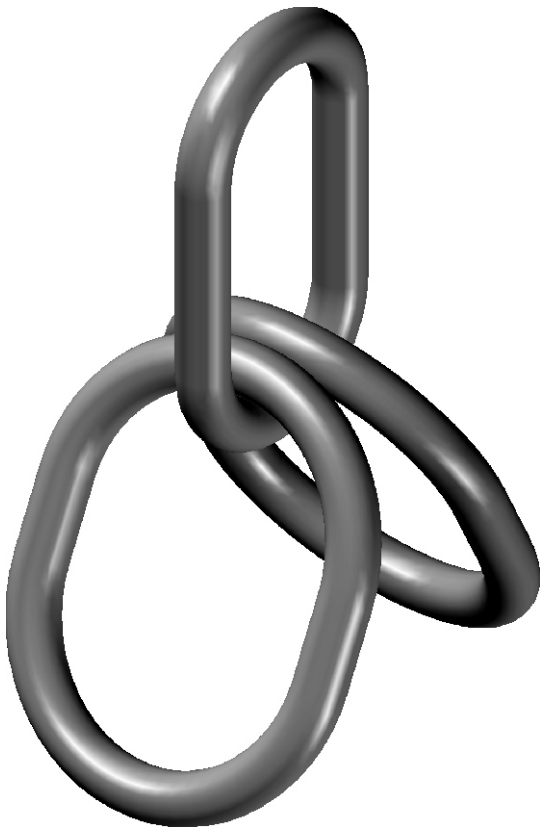


MASTER LINK ASSEMBLY

TYPE SC5

Material : High alloy steel
 Safety : 4 times
 Finish : Painted
 Certificate : Proofload , 3.1B certificate



Art.no.	SWL ton	D mm	L mm	B mm	d mm	l mm	b mm	Weight kg
58000070	70	68	460	220	68	430	300	119
58000100	100	80	500	250	80	460	330	182
58000125	125	90	560	270	90	500	330	250
58000175	175	100	600	270	100	560	330	334
58000250	250	115	600	400	115	600	400	490
58000300	300	115	600	300	115	600	400	481

Tolerance \pm 5%



GN ROPE FITTINGS

Grofsmederij Nieuwkoop B.V. - The Netherlands

www.gnweb.com - sales@gnweb.com

Tel +31(0) 172 579 303, Fax +31(0) 172 571 073

