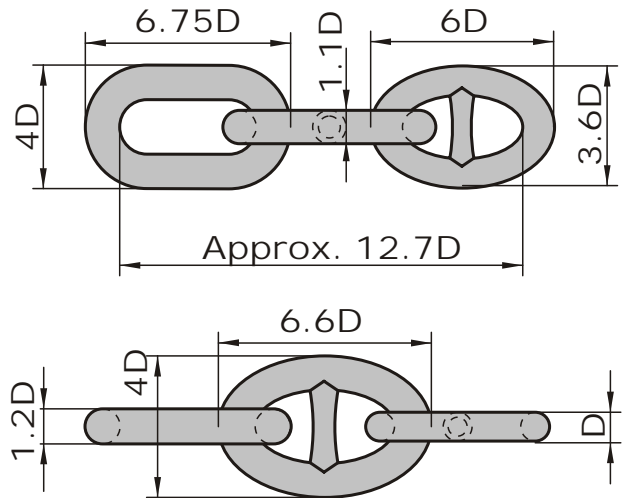
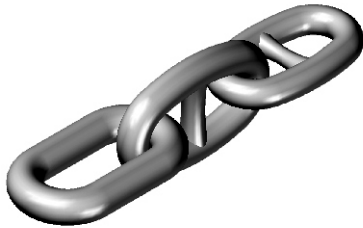


CHAIN ADAPTER

TYPE SC6

(THREE LINK ADAPTER)

Material : High alloy steel, grade 4
 Finish : Self coloured
 Certificate : Proofload , 3.1B material



Art.no.	Chain inch	D mm	1.1D mm	1.2D mm	3.6D mm	4D mm	6D mm	6.6D mm	6.75D mm	12.7D mm	Weight kg
59999998	3	76	84	91	274	305	457	502	513	968	140

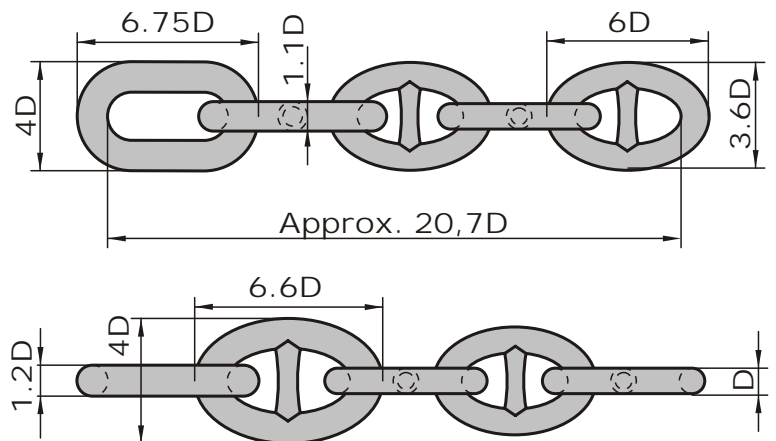
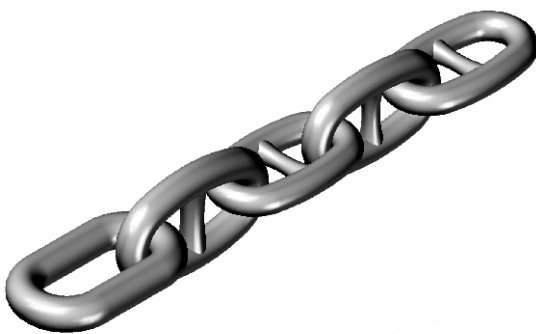
Tolerance ± 5%

CHAIN TAIL

TYPE SC7

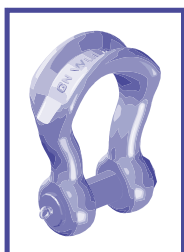
(FIVE LINK ADAPTER)

Material : High alloy steel, grade 4
 Finish : Self coloured
 Certificate : Proofload , 3.1B material



Art.no.	Chain inch	D mm	1.1D mm	1.2D mm	3.6D mm	4D mm	6D mm	6.6D mm	6.75D mm	20.7D mm	Weight kg
59999988	3	76	84	91	274	305	457	502	513	1573	212

Tolerance ± 5%



GN ROPE FITTINGS

Grofsmederij Nieuwkoop B.V. - The Netherlands

www.gnweb.com - sales@gnweb.com

Tel +31(0) 172 579 303, Fax +31(0) 172 571 073

