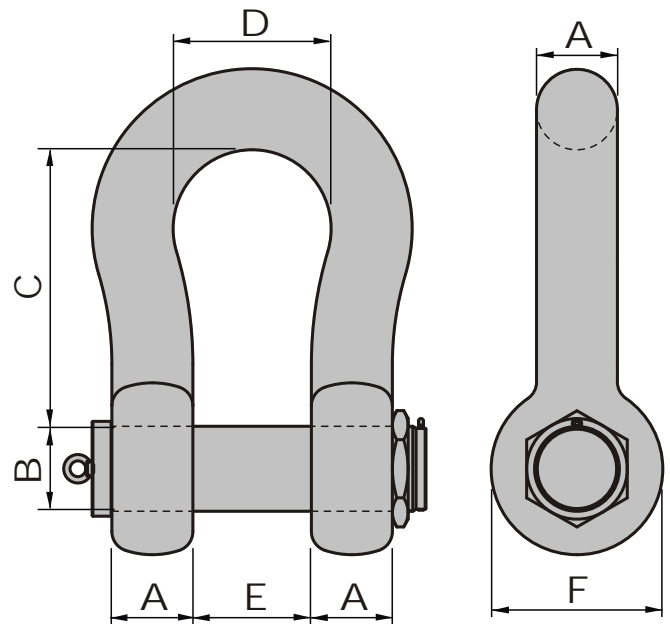
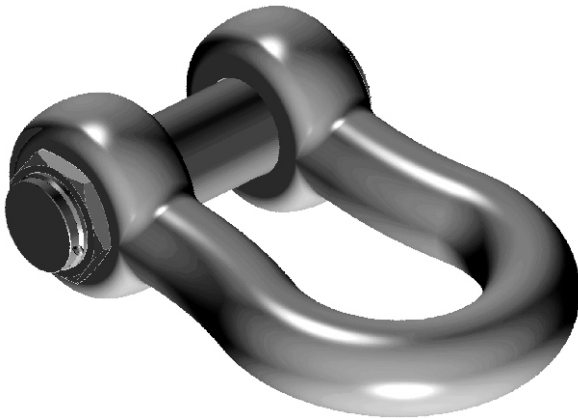


GN BOW SAFETY PIN SHACKLE (SUPER)

TYPE H10 SUPER

Material : Forged alloy steel
 Safety factor : 5 times
 Finish : Painted/galvanised
 Certificates
 Standard : 3.1B material
 Manufacturer
 On request : 3.1C material certificate
 Proofload certificate
 DNV. Lloyds. ABS. BV etc.
 MPI & US inspection



Art. No.	SWL Tons	A mm	B mm	C mm	D mm	E mm	F mm	Weight Kgs.
38000300	30	38	42	146	99	60	84	8
38000400	40	45	50	178	126	74	106	14
38000550	50	57	57	197	138	83	114	19
38000850	80	70	70	254	180	105	140	38
37001109	120	83	83	330	200	127	150	59
37001409	150	90	95	381	238	133	190	110
37001759	175	102	108	400	250	140	230	150
37002008	200	120	121	500	290	180	260	225
37002508	250	125	127	510	325	220	260	300
37003008	300	135	152	495	330	213	305	352
37004008	400	170	178	572	330	210	356	500

Tolerance \pm 5%



GN ROPE FITTINGS

Grofsmederij Nieuwkoop B.V. - The Netherlands

www.gnweb.com - sales@gnweb.com

Tel +31(0) 172 579 303, Fax +31(0) 172 571 073

