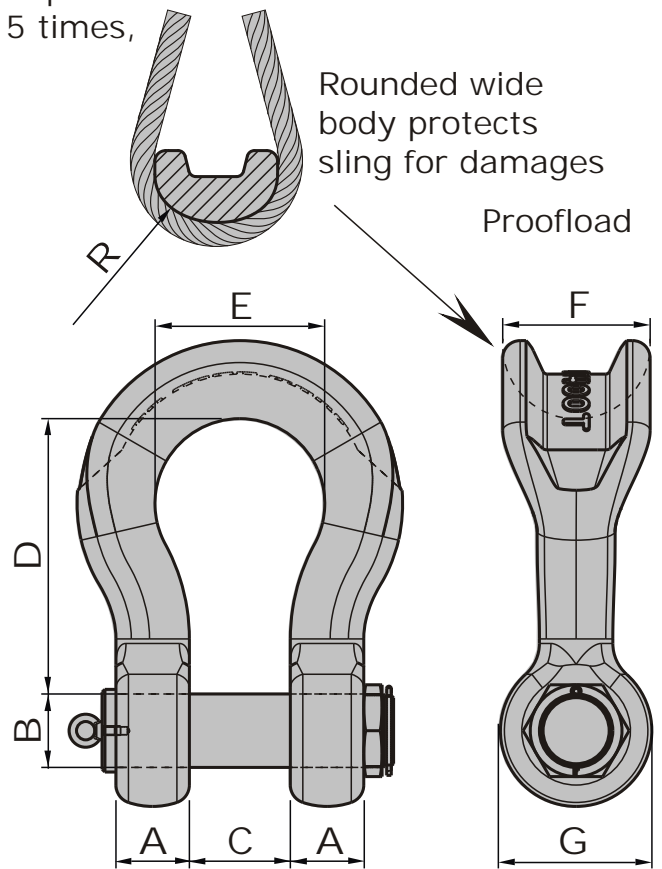


GN FORGED ROPE SHACKLE TYPE H14 SLING PROTECTOR (WIDE BODY)

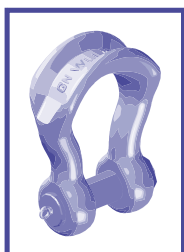
Material : Alloy steel quenched and tempered
 Safety factor : Up and including 1500 ton 5 times,
 Above 1500 ton 4 times
 Finish : Painted
 Certificates :
 Standard : 3.1B material
 Manufacturer :
 On request : 3.1C material certificate
 DNV. Lloyds. ABS. BV etc.
 MPI & US inspection



Art. No.	WLL ton	A mm	B mm	C mm	D mm	E mm	F mm	G mm	R mm	Weight kgs
36000040	40	45	50	73	210	140	95	105	50	16
36000055	55	60	56	90	240	160	115	116	60	31
36000075	75	70	70	105	290	185	120	135	70	45
36000125	125	80	80	130	365	220	150	152	80	120
36000150	150	90	95	140	390	250	170	185	90	160
36000200	200	105	105	150	480	275	205	225	110	230
36000250	250	110	120	170	550	300	240	240	130	320
36000300	300	140	134	185	600	350	265	280	140	340
36000400	400	160	160	220	600	370	320	330	170	620
36000500	500	170	180	250	650	450	340	350	180	800
36000600	600	180	200	275	720	490	370	405	190	960
36000700	700	200	215	300	750	540	400	465	210	1250
36000800	800	220	230	325	780	555	420	465	210	1400
36000900	900	238	250	350	850	585	440	480	220	2100
36001000	1000	240	270	380	850	615	460	530	230	2200
36001250	1250	260	300	430	930	645	530	570	270	2800
36001500	1500	280	320	460	950	680	560	610	290	3300
36002000	2000	320	385	500	1050	680	600	680	300	4800

New

Tolerance \pm 5%



GN ROPE FITTINGS

Grofsmederij Nieuwkoop B.V. - The Netherlands

www.gnweb.com - sales@gnweb.com

Tel +31(0) 172 579 303, Fax +31(0) 172 571 073

