

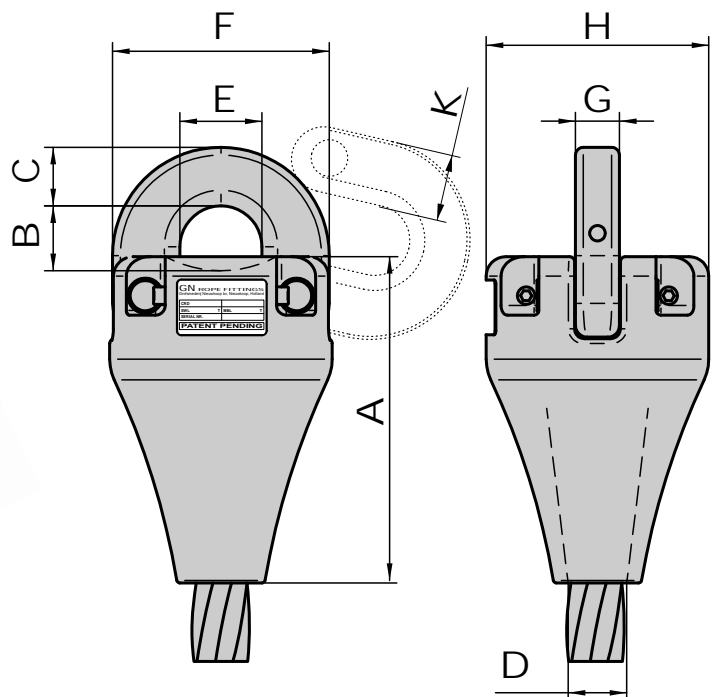
CR-D SOCKET (Chain-Rope)

TYPE S06

Material : High grade steel
 Safety : 5 times
 Finish : Painted
 Certificates : Proofload, manufacturer certificate

600 SERIE

PATENTED



Art.no.	Type	Wire dia. inch	Suitable chain	SWL tons	MBL tons	A mm	B mm	C mm	D mm	E mm	F mm	G mm	H mm	K mm
47006229	622	2"-2 1/4"	2"	50	250	300	70	60	59	84	222	45	238	69
47006269	626	2 1/2"-2 3/4"	2 1/2"	80	400							(in development)		
47006289	628	3"-3 1/4"	3"	120	600	465	120	100	86	112	340	70	380	114
47006309	630	3 1/2"-3 3/4"	3 1/2"	160	800	520	140	120	99	140	400	80	430	130
47006339	633	4"-4 1/2"	4"	200	1000							(in development)		

Tolerance: Forged parts $\pm 5\%$, machined parts ± 1 mm



GN ROPE FITTINGS

Grofsmederij Nieuwkoop B.V. - The Netherlands

www.gnweb.com - sales@gnweb.com

Tel +31(0) 172 579 303, Fax +31(0) 172 571 073

