

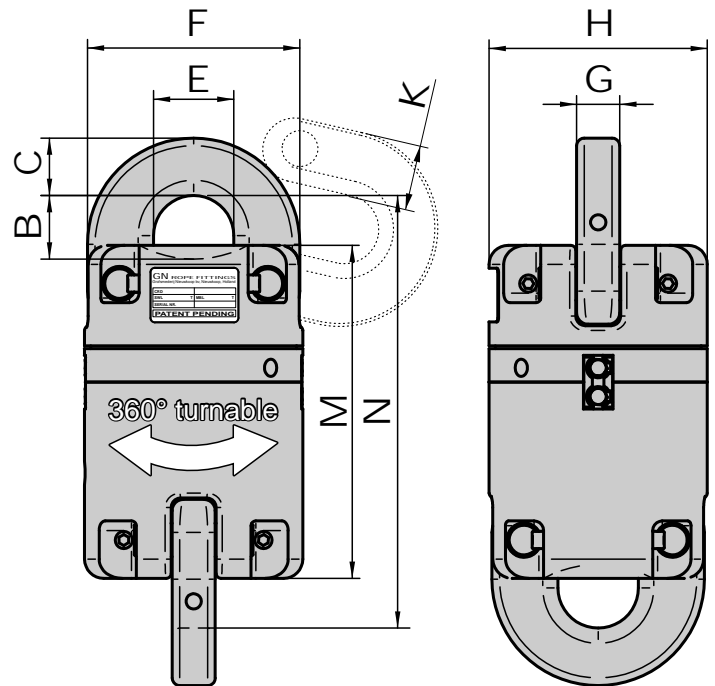
CR-D CHAIN SWIVEL (Chain-Chain)

TYPE SW4

Material : High grade steel
 Safety : 5 times
 Finish : Painted
 Certificates : Proofload, manufacturer certificate

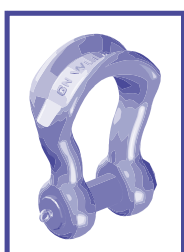
800 SERIE

PATENTED



Art.no.	Type	Suitable chain	SWL ton	MBL ton	B mm	C mm	E mm	F mm	G mm	H mm	K mm	M mm	N mm
47040250	822	2"	50	250	70	60	84	222	45	238	69	348	452
47040400	826	2 1/2"	80	400					(in development)				
47040600	828	3"	120	600	120	100	112	340	70	380	114	520	690
47040800	830	3 1/2"	160	800	140	120	140	400	80	430	130	610	850
47040900	833	4"	200	1000					(in development)				

Tolerance: Forged parts ± 5%, machined parts ± 1 mm



GN ROPE FITTINGS

Grofsmederij Nieuwkoop B.V. - The Netherlands

www.gnweb.com - sales@gnweb.com

Tel +31(0) 172 579 303, Fax +31(0) 172 571 073

