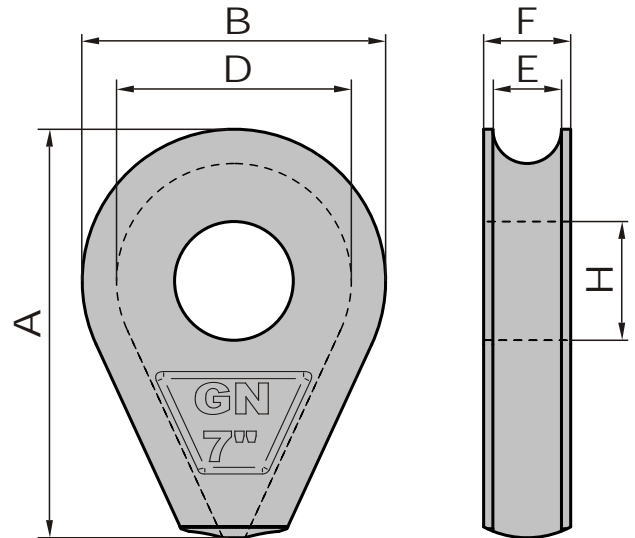


SOLID THIMBLE

TYPE K5

Material : Duc tail iron GGG50
 Finish : Painted/galvanised on request
 Suitable for wire rope

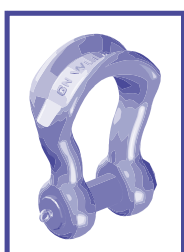


Art. no.	Size Inch	Rope size mm	A mm	B mm	D mm	E mm	F mm	H mm	Weight kg
16020000	2"	8	66	40	31	9	15	14	0.16
16027500	2½"	10	82	50	38	11	18	18	0.3
16030000	3"	12	98	60	45	13	20	21	0.5
16035000	3½"	14	114	70	53	16	24	25	0.7
160400 <u>40</u>	4"	16/18	110	75	58	19	26	30/40	0.7
160500 <u>45</u>	5"	20/22	130	92	65	23	30	30/40/45	1.2
160600 <u>55</u>	6"	23/25	150	110	82	26	33	30/40/45/55	2
160700 <u>60</u>	7"	28/30	180	127	96	32	40	30/40/52/60	3
160800 <u>70</u>	8"	32/34	200	140	100	35	43	30/42/55/70	4
16090 <u>100</u>	9"	36/38	225	160	122	39	47	50/70/90/100	5
16100 <u>100</u>	10"	40/42	250	170	127	43	57	50/70/90/100	8
16120 <u>105</u>	12"	44/48	305	210	160	54	69	60/80/105	15
16140 <u>110</u>	14"	50/55	355	240	181	61	80	75/110	24
16170 <u>122</u>	17"	58/65	431	290	230	68	92	85/122	44
16230 <u>130</u>	24"	70/75	597	387	310	88	114	100/130	103

Tolerance ± 5%

For the correct article number fill in the hole diameter on the grey and underscored numbers.

Special holes for fittings or holes with bushes on request.



GN ROPE FITTINGS

Grofsmederij Nieuwkoop B.V. - The Netherlands

www.gnweb.com - sales@gnweb.com

Tel +31(0) 172 579 303, Fax +31(0) 172 571 073

